

USER MANUAL
FOR
MAGENTO



6, Sarat Chatterjee road
Kolkata - 700 089, Toll Free No.: 1800 121 0600
Email: customercare@propello.in
www.propello.in
CIN: U74900WB2009PTC137818



INSTRUCTION MANUAL
AND WARRANTY CARD

CONTENT

Notice	02
Installation	02
Notice of Installation	02
Safety Warning	03
Operation	04
Model Description	05

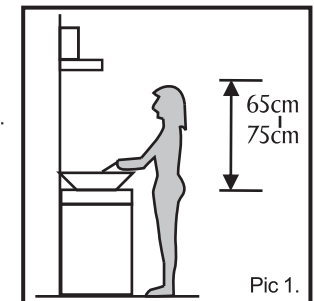
1. NOTICE

- 1) Thank you for choosing our Cooker Hood. Please read the instruction manual carefully before use.
- 2) The installation work must be undertaken by a qualified and competent fitter.
- 3) The manufacture disclaims all liability for any damage or injury caused as a result of not following instructions for installation contained in the following text.

The Cooker Hood is used on 220~240V, 50Hz.

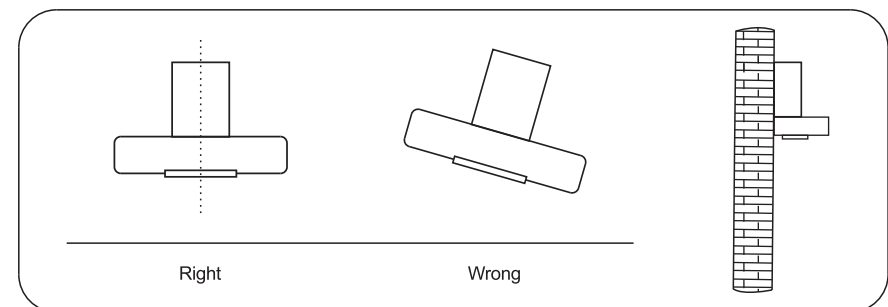
2. INSTALLATION

- 1) The Cooker Hood should be placed at a distance of 65~75cm (26~30inch) from the cooking surface for the best effect. See Pic 1.
- 2) Install the Hook on a suitable place once the installation height is fixed, and keep it in line. The fixed position of the inside chimney bracket is the place of chimney.
- 3) Put the Cooker Hood on the hook.



3. NOTICE OF INSTALLATION

- 1) Before installation, please ensure the area is clean to avoid suction of the remaining bits of broken wood and dust.
- 2) It cannot share the same air ventilation tube with other appliance such as gas tube, warmer tube, and hot wind tube.
- 3) The bending of ventilation tube should be $\geq 120^\circ\text{C}$, parallel or above the start point and should be connected to the external wall.
- 4) After installation, make sure that the extractor is level to avoid grease collection at one end.






4. SAFETY WARNING

- ◇ Keep your children from using the Cooker Hood.
- ◇ Your Cooker Hood is for domestic use only, not suitable for barbecue, roast shop and other commercial use.
- ◇ Any installation work must be carried out by a qualified electrician or competent person.
- ◇ The Cook Hood and its filter should be cleaned regularly in order to keep in good working order.
- ◇ Before cleaning, always ensure that you have switched your Cooker hood off.
- ◇ Clean the Cooker Hood according to the instruction manual and keep the Cooker Hood from the danger of burning.
- ◇ No fire for drying your Cooker Hood.
- ◇ If there is any fault with your Range Hood, please call the service department appointed by agent for servicing.
- ◇ Please keep the room draughty when your Cooker Hood and gas hob are working.
- ◇ Do not exhaust the gas from Cooker Hood through the same heated flue which is for the gas from gas hob and other kitchen appliances.
- ◇ Before installation and usage, read all the instructions and make sure that the voltage (V) and the frequency (Hz) indicated on your Cooker Hood are exactly the same as voltage (V) and the frequency (Hz) in your home.
- ◇ In order to get the most out of your Cooker Hood, please read the instruction manual before installing & using, and keep it in a safe place.

5. OPERATION





-  Lighting – Press this key to switch on / off light in power on / off mode
-  Speed Reduction – Press this key to reduce the motor speed in Power On mode
-  Power On /Off – Press this key to Switch on / off

Motion Sensor Lock - Under off position, long press the power key to turn off the motion sensor function (the motor sensor function is turned on by default when the chimney is powered on)

Motion Sensor function – Under the state, waving from left to right, the chimney will start at low speed and light on , with second wave from left to right it will go to medium speed and with third wave to high speed .Waving from right to left will enable the timer off function and for the second wave it will turn off the chimney.

Delay – When the motor is in running mode, single press this key, the light will start blinking and it will go to Off timer mode and chimney will automatically shut down after 60 Seconds , one more tap when the light is blinking will shutdown the chimney instantly.

-  Speed Increase – Press this key to increase motor speed
-  Auto Clean – In Power On mode , press auto clean key and hold this key for 3 seconds to start the auto clean function , the heat cleaning will be done for 15 minutes and for additional one minute the motor will start to throw out the hot air inside.



Warranty Card

Dear Customer.

Congratulations! You have become a proud owner of Propello Kitchen hood / Appliances, the model mentioned below is covered under warranty against all manufacturing defects for a period of 12 months (the motor carries a Lifetime warranty) from the date of purchases subject to the conditions mentioned below ,

MODEL NAME - MAGENTO	
SIZE	90 CM
FILTER TYPE	OIL COLLECTOR WITH DRY AUTO CLEAN
BODY TYPE & COLOR	BLACK GLASS & SS
SWITCH TYPE	TOUCH PANEL WITH WAVE TECHNOLOGY
AIR OUTLET	150 MM
MOTOR WATTAGE	160 WATTS
SPEED	THREE
LIGHT	LED
SUCTION	1200 m3/hr (20 m3/min)

Model:

SI No.:

Bill No.:

Purchasing Dealer's Name with signature & seal:

Warranty Terms & Conditions

The goods are warranted against all manufacturing defects for a period of 12 months (the motor carries a lifetime warranty) from the date of purchase subject to the following conditions.

- A. The warranty does not cover charcoal filter, bulbs, glass parts and such other items that are subject to normal wear and tear due to operations
- B. Defective cooker hood with valid warranty card and original bill to be produced to the authorized service franchise or service dealer by the customer's own cost during working hours or upon visit.
- C. This warranty does not cover defects as result of accident/ damage due to transit or misuse.
- D. This warranty is not applicable if the damage is a result of attractions, unauthorized repairs, tampering or alteration of any part, unauthorized installation or damages caused as a result of natural calamity, nots or any unnatural circumstances and any kind of electrical malfunction including high voltage supply.
- E. This warranty is valid only when it bears the signature and stamp of the authorized dealer
- F. The defective item or component will be replaced / repaired at the sole discretion of Propello Innovations Pvt. Ltd. and the replaced parts will be the property of Propello Innovations Pvt Ltd.
- G. This product is intended for domestic use and not for commercial use.
- H. All disputes are subject to Kolkata jurisdiction



Customer's Signature

